

333 Section 6 Solutions - C++ Casting and Inheritance

Welcome back to section! We're glad that you're here :)

Casting in C++

While in C++, we want to use casts that are more explicit in their behaviour. This gives us a better understanding of what happens when we read our code, because C-style casts can do many (sometimes unwanted) things. There are four types of casts we will use in C++:

```
static_cast<to_type>(expression);
```

- ★ Converts between pointers of related types.
 - Compiler error if not related.
- ★ Performs not pointer conversion (e.g. float to int conversion).

```
dynamic_cast<to_type>(expression);
```

- ★ Converts between pointers of related types.
 - Compiler error if not related.
 - Also checks at runtime to make sure it is a 'safe' conversion (returns `nullptr` if not).

```
const_cast<to_type>(expression);
```

- ★ Used to add or remove const-ness.

```
reinterpret_cast<to_type>(expression);
```

- ★ Casts between incompatible types *without changing the data*.
 - The types you are casting to and from must be the same size.
 - Will not let you convert between integer and floating point types.

Exercise 1

For each of the following snippets of code, fill in the blank with the most appropriate C++ style cast. Assume that we have the following classes defined:

```
class Base {
public:
    int x;
};
```

```
class Derived : public Base {
public:
    int y;
};
```

```
int64_t x = 0x7fffffffffe870;
char* str = reinterpret_cast<char*>(x);
```

```
void foo(Base* b) {
    Derived* d = dynamic_cast<Derived*>(b);
    // additional code omitted
}
```

```
Derived* d = new Derived;
Base* b = static_cast<Base*>(d);
```

```
double x = 64.382;
int64_t y = static_cast<int64_t>(x);
```

C++ Inheritance

Access Specifiers:

- `public`: visible to all other classes
- `protected`: visible to this class and its *derived* classes
- `private`: visible only to the current class

What's different in C++ (compared to Java)?

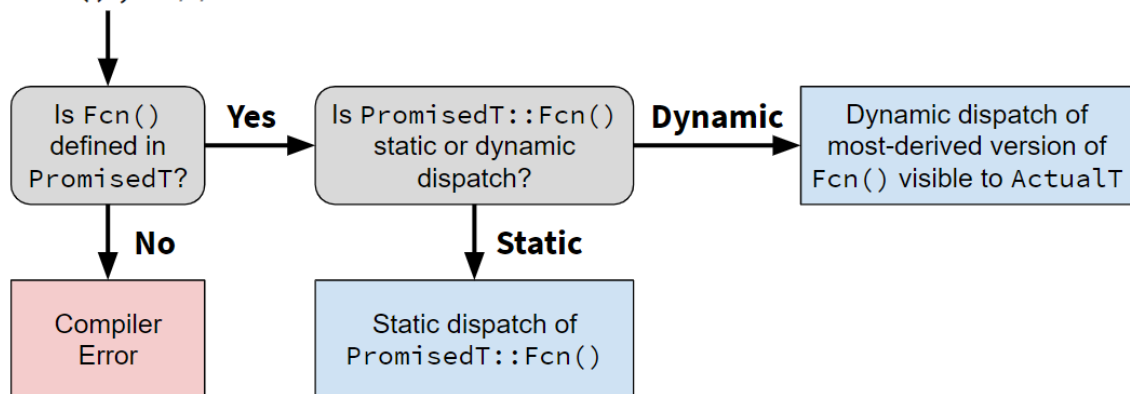
- *Static vs. dynamic dispatch* – in Java, all method calls are dynamic dispatch
- Pure virtual functions, abstract classes, why no Java “interfaces”
- Assignment slicing, using class hierarchies with STL

`virtual` keyword: Prefix a member function's declaration with this to use dynamic dispatch.

Note: derived (child) functions don't need to repeat the `virtual` keyword, but it traditionally often do.

`override` keyword (C++11): Postfix a member function's declaration with this to tell the compiler that this method should be overriding an inherited virtual function – good to use if available.

```
PromisedT* ptr = new ActualT();
ptr->Fcn(); // which version is called?
```



Exercise:

2) Inheritance & Virtual Function

Consider the program on the following page, which does compile and execute with no errors, except that it leaks memory (which doesn't matter for this question).

(a) Complete the diagram on the next page by adding the remaining objects and all of the additional pointers needed to link variables, objects, virtual function tables, and function bodies. Be sure that the order of pointers in the virtual function tables is clear (i.e., which one is first, then next, etc.). One of the objects and a couple of the pointers are already included to help you get started.

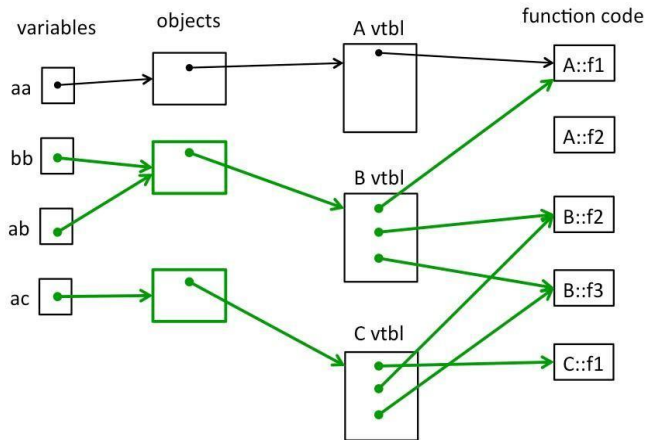
(b) Write the output produced when this program is executed. If the output doesn't fit in one column in the space provided, write multiple vertical columns showing the output going from top to bottom, then successive columns to the right

```
#include <iostream>
using namespace std;

class A {
public:
    virtual void f1() { f2(); cout << "A::f1" << endl; }
    void f2() { cout << "A::f2" << endl; }
};

class B : public A {
public:
    virtual void f3() { f1(); cout << "B::f3" << endl; }
    virtual void f2() { cout << "B::f2" << endl; }
};

class C : public B {
public:
    void f1() { f2(); cout << "C::f1" << endl; }
};
```



```
int main() {
    A* aa = new A();
    B* bb = new B();
    A* ab = bb;
    A* ac = new C();
    aa->f1();
    cout << "----" << endl;
    bb->f1();
    cout << "----" << endl;
    bb->f2();
    cout << "----" << endl;
    ab->f2();
    cout << "----" << endl;
    bb->f3();
    cout << "----" << endl;
    ac->f1();
    return EXIT_SUCCESS;
}
```

Output:

```
A::f2
A::f1
----
A::f2
A::f1
----
B::f2
----
A::f2
----
A::f2
A::f1
B::f3
----
B::f2
```

```
C::f1
```

Ex3. Virtual holidays! Consider the following C++ program, which does compile and execute successfully.

```
#include <iostream>
using namespace std;

class One
{
public:
    void m1() { cout << "H"; }
    virtual void m2() { cout << "l"; }
    virtual void m3() { cout << "p"; }
};

class Two: public One
{
public:
    virtual void m1() { cout << "a"; }
    void m2() { cout << "d"; }
    virtual void m3() { cout << "y"; }
    virtual void m4() { cout << "p"; }
};

class Three: public Two
{
public:
    void m1() { cout << "o"; }
    void m2() { cout << "i"; }
    void m3() { cout << "s"; }
    void m4() { cout << "!"; }
};

int main() {
    Two t;
    Three th;
    One *op = &t;
    Two *tp = &th;
    Three *thp = &th;

    op->m1();
    tp->m1();
    op->m3();
    op->m3();
    tp->m3();

    op->m1();
    thp->m1();
    op->m2();
    thp->m2();
    tp->m2();
    tp->m1();
    tp->m3();
    thp->m3();
    tp->m4(); cout <<
endl;
}
```

(a) (8 points) On the next page, complete the diagram showing all of the variables, objects, virtual method tables (vtables) and functions in this program. Parts of the diagram are supplied for you. **Do not remove** this page from the exam.

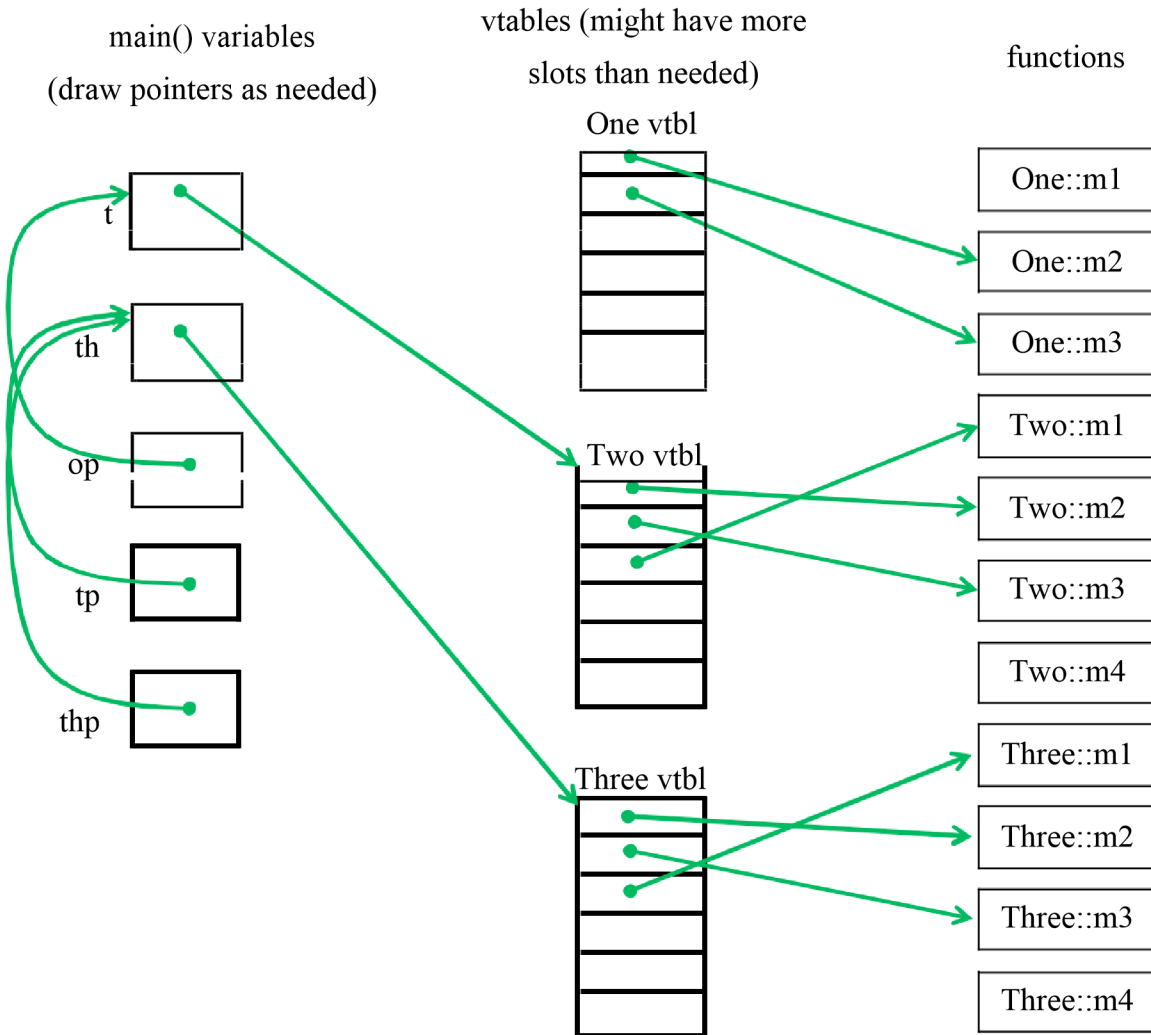
(b) (6 points) What does this program print when it executes?

HoyysHodiioss

(c) (6 points) Modify the above program by removing and/or adding the virtual keyword in appropriate place(s) so that the modified program prints HappyHolidays! (including the ! at the end). Draw a line through the virtual keyword where it should be deleted and write in virtual where it needs to be added. Do not make any other changes to the program. Any correct solution will receive full credit.

(Changes shown above in bold green)

(cont.) Draw your answer to part (a) here. Complete the vtable diagram below. Draw arrows to show pointers from variables to objects, from objects to vtables, and from vtable slots to functions. Note that there may be more slots provided in the blank vtables than you actually need. Leave any unused slots blank



Notes: The pointers in One's vtable can be in either order – the first slot could point

to m3 and the second one to m2. BUT: once that choice is made, the first two vtable slots in Two's and Three's vtables must point to the appropriate versions of the same two functions in the same order as One's vtable. Two's vtable pointer to m1 must follow those slots, and Three's vtable slots must have exactly the same order.

Functions that are not virtual do not have pointers to them in vtables.

Objects contain only a single pointer to the correct vtable, not multiple pointers to multiple functions or other extra data.